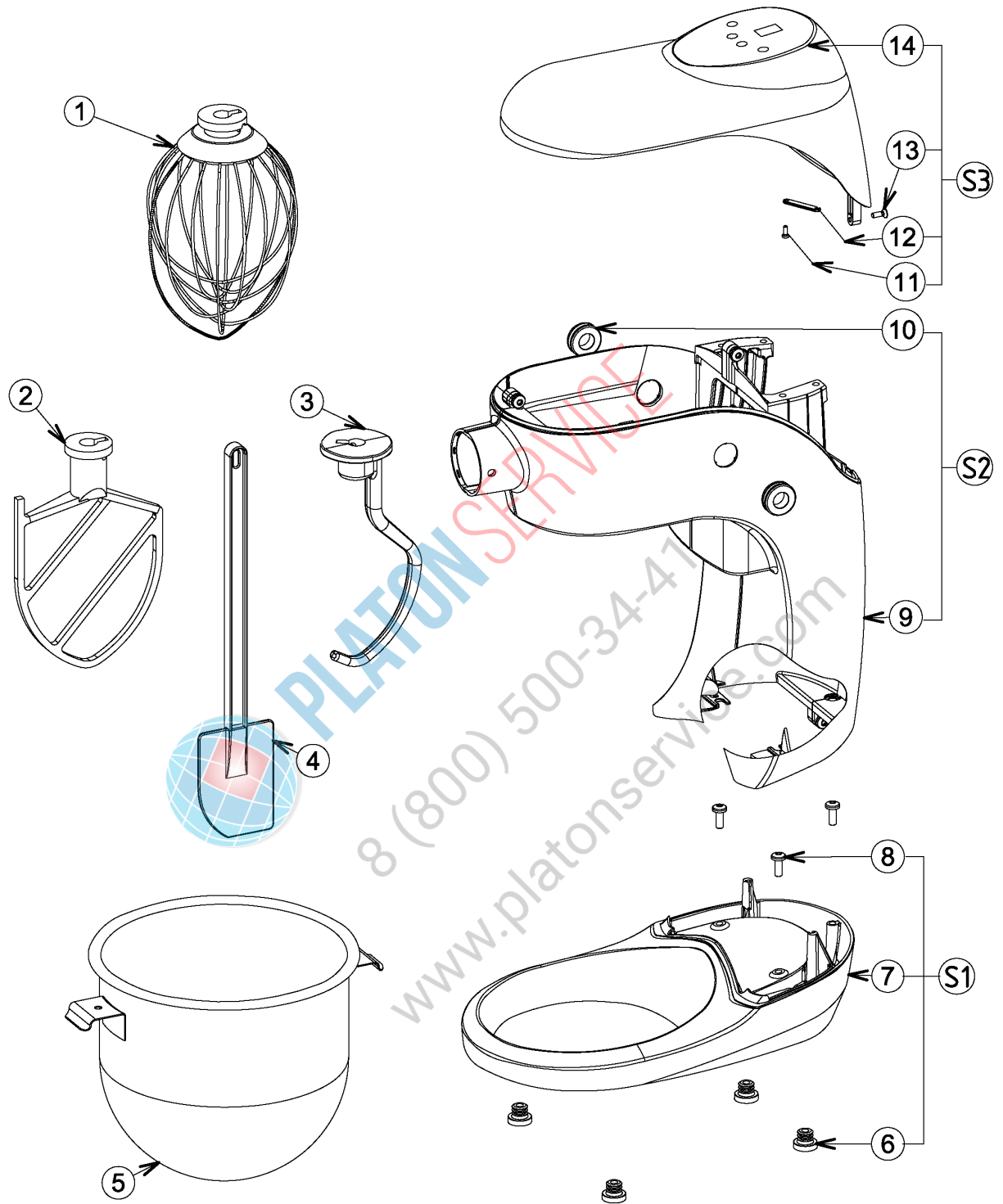


Sous-ensemble Structure - Structure sub assembly _____



ALPHAMIX FR 06 03

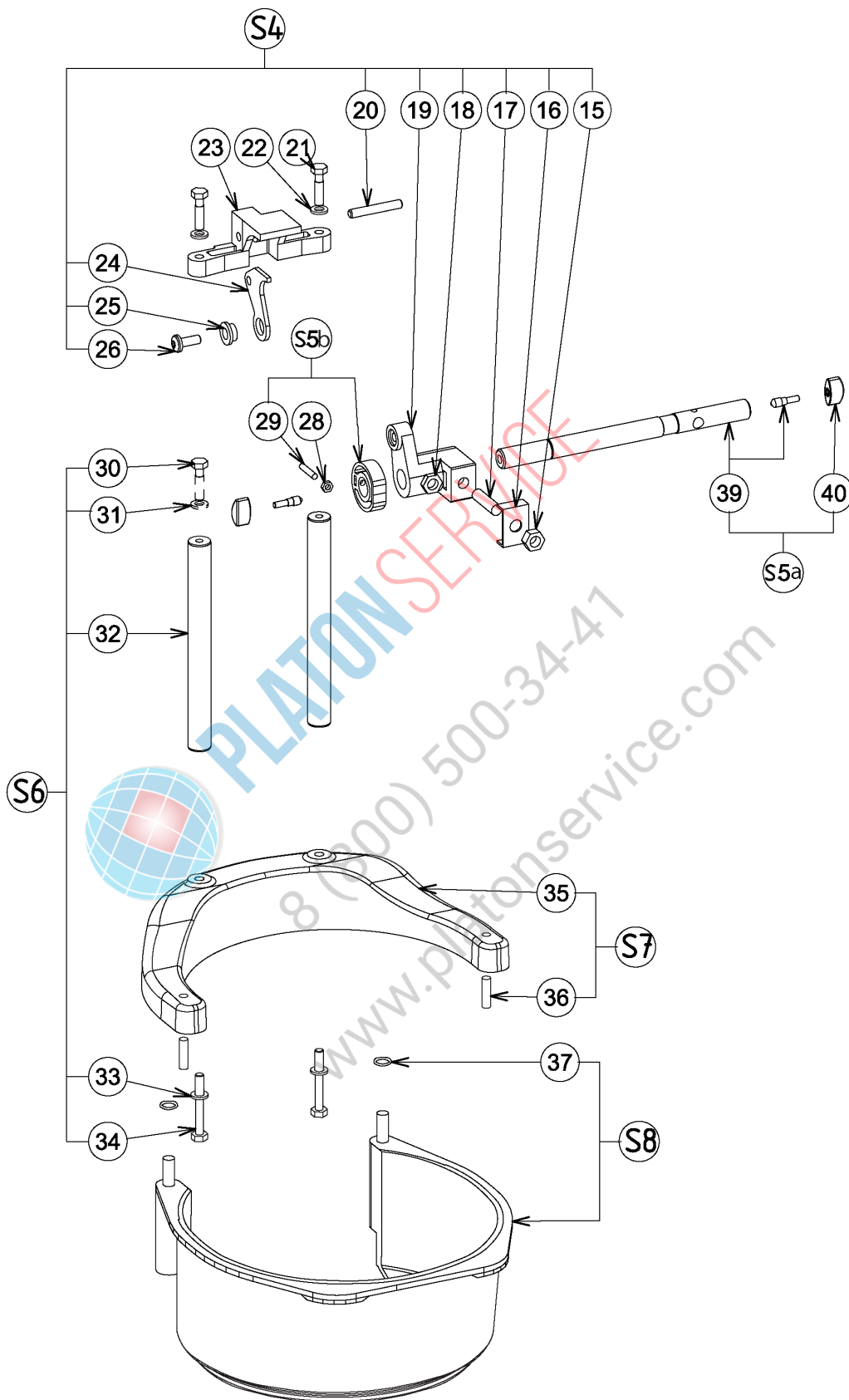
B

??????	603107								
??????	SPALPHAMIX	???????? 2					Structure sub assembly		
.		Alias		S			.		(Euro)
0001	653250		653757				WHISK FOR 5LT MIXER		
0002	653252		653756				PADDLE FOR 5LT MIXER		
0003	653286			S			FLAT DOUGH HOOK FOR 5LT MIXER		76,30
0004	653483						SPATULA FOR 5 LT PLANETARY MIXERS		15,46
0005	653508			S			STAINLESS STEEL BOWL 5LT FOR MIXER		192,00
0006	0D1609			S			RUBBER FOOT; 6 PCS		36,13
0007	0D3314						STAND RAL9007 XBE5		
0008	0D3333						TAPTITE SCREW TORX; SET 10PCS;M6X16		22,84
0009	0D3308				D		ASSEMBLED CASING MATFER XBE5		105,60
0010	0D3334						GROMMET 14X20X3 XBE5 SET X2		37,56
0011	0D2918						SCREW PT WN 1442 K30/8 (SET X10)		21,42
0012	0D3301				D		CLOTH CLIP XBE5		1,58
0013	0D3335						SCREW PT WN K40/12 XBE5 SET X10		21,82
0014	0D3296				D		COVER MATFER XBE5		
00S1	0D3340						STAND ASSY MATFER XBE5		91,86
00S2	0D3341				D		CASING ASSY MATFER XBE5		127,90
00S3	0D3342						COVER ASSEMBLY; XBE5		



PLATON SERVICE
 8 (800) 500-34-41
 www.platonservice.com

Sous ensemble Monte et Baisse - Bowl lift sub assembly

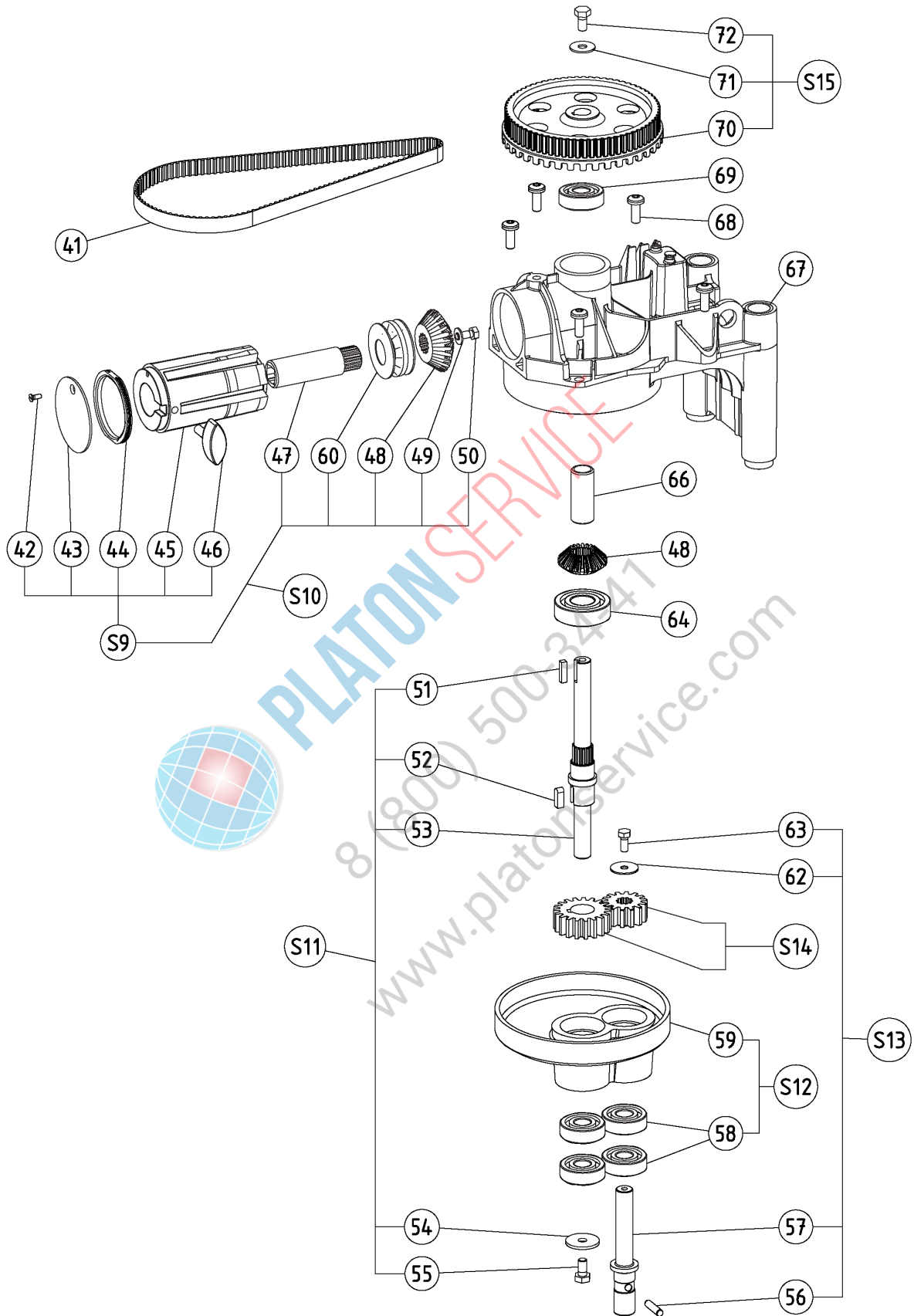


?????? 603107

?????? SPALPHAMIX ???????? 4 Bowl lift sub assembly

.		Alias		S		.		(Euro)
0015	0KQ523						NUT; 10 PCS	18,90
0016	0D0084						B7 CAP	
0017	0D0553						SCREW; 10 PCS	
0018	0KQ523						NUT; 10 PCS	18,90
0019	0D0092						BE5 HANDLE	8,12
0020	0D0400						PIN; 10 PCS	23,45
0021	0D0595						SCREW; 10 PCS	20,71
0022	0U0652			D			WASHER; 10 PCS	19,11
0023	0KJ760						CROSS STAY BE5 SAMIX	7,11
0024	0D0090						SAMIX R LINK ROD	10,14
0025	0KQ331						BUSHING	3,59
0026	0D3333						TAPTITE SCREW TORX; SET 10PCS:M6X16	22,84
0028	0D0580						NUT; 10 PCS	19,54
0029	0KQ526			S			SCREW	19,64
0030	0D0595						SCREW; 10 PCS	20,71
0031	0U0652			D			WASHER; 10 PCS	19,11
0032	0D3306						PIN XBE5	13,07
0033	0D2878						WASHER SET CS L6 (X10) TR17	21,92
0034	0D0599						SCREW; 10 PCS	21,92
0035	0D3307	0D3348					SHOTBLASTED CRADLE XBE5	
0036	0D1003						PIN; 5 PCS	25,27
0037	0D3344						O-RING 8X1.9 SET X10	18,80
0039	0D3501			D			GUARD PIN SEMI FITTED XBE5	48,42
0040	0D3343						BUTTON M4-8252 XBE5 SET X2	37,15
00S4	0D3345			D			LINK ROD CRANK HANDLE ASSY XBE5	78,16
00S6	0D3347						PIN ASSY XBE5 SET X2	58,06
00S7	0D3348						CRADLE ASSY XBE5	72,88
00S8	0KJ767			S			SAFETY GUARD	64,35
0S5a	0D3346						GUARD PIN ASSY XBE5	67,60
0S5b	0D0868						SAFETY SWITCH + CAM	30,86

Sous-ensemble Mécanique - Mechanical sub assembly - ____



??????		603107							
??????		SPALPHAMIX		???????? 6		Mechanical sub assembly			
.		Alias		S		.			(Euro)
0041	0D3305			S				NOTCHED BELT 230XL050	9,70
0042	0D0938							SCREW; 10 PCS	19,54
0043	0D5401				D			STICKER; Ø 54 MATFER; 10 PCS	39,28
0043	0D5947							COVERING; OPERCULE MICROBILLE XBE5	18,90
0044	0D3299							ACCSSRY SOCKT SEAL XBE5	4,20
0045	0D5160							ACCESSRY SOCKET SLEEVE XBE5	58,57
0046	0D3313				D			BUTTON CT476/30S P M6X20 108364	33,09
0047	0D3312				D			ACCSSRY SOCKT SHAFT TYPE K XBE5	21,11
0048	0KQ421			S				BEVEL GEAR SAMIX R	35,83
0049	0D0546							WASHER; 10 PCS	18,17
0050	0D0537							SCREW; 10 PCS	19,22
0051	0D0552							SPANNER; 4X4X16; SET 5PCS	19,33
0052	0D0635							WASHER 5X5X14	19,85
0053	0D3303							SUN GEAR SHAFT XBE5	27,30
0054	0D0620							BM10 WASHER 24X6.2X2; 10 PCS	44,86
0055	0KQ494							SCREW; 10 PCS	20,27
0056	0D0396			S				PIN; 10 PCS	27,91
0057	0D1830			S					26,80
0058	0D5346		0D7113					BEARING; 6201 DDU BE5	
0059	0D3315				D			SHOTBLASTED PLANETARY XBE5	38,87
0060	0D6458							BUTEE A AIGUILLES; 17-30	19,74
0062	0D0501							WASHER; 10 PCS	19,54
0063	0D0537							SCREW; 10 PCS	19,22
0064	0D5458		0KJ007					BEARING; 6203 DDU	
0066	0D3304							ACCSSRY SOCKT SPACER XBE5	4,58
0067	0D3294			S				MECHANICAL SUPPORT XBE5	56,03
0068	0D3333							TAPTITE SCREW TORX; SET 10PCS;M6X16	22,84
0069	0D5346		0D7113					BEARING; 6201 DDU BE5	
0070	0D1831		0KQ582						
0071	0D0513							WASHER; 10 PCS	18,58
0072	0KQ494							SCREW; 10 PCS	20,27
00S9	0D3349							ACCSSRY SOCKT BARREL ASSY XBE5	71,76
0S10	0D3350							ACCSSRY SOCKT K ASSY XBE5	112,70
0S11	0D3351							SUN GEAR SHAFT ASSY XBE5	61,20
0S12	0D3352			S				PLANETARY ASSY XBE5	105,60
0S13	0D0341			S				BE5 TOOL HOLDER SHAFT ASSY.	57,45

??????	603107								
??????	SPALPHAMIX	???????? 6					Mechanical sub assembly		
.		Alias		S			.		(Euro)
0S14	0D0871			S				PLANETARY PINION; KIT; SAMIX R	38,27
0S15	0KQ582			S				DRIVEN PULLEY WITH SCREW BE5	38,67

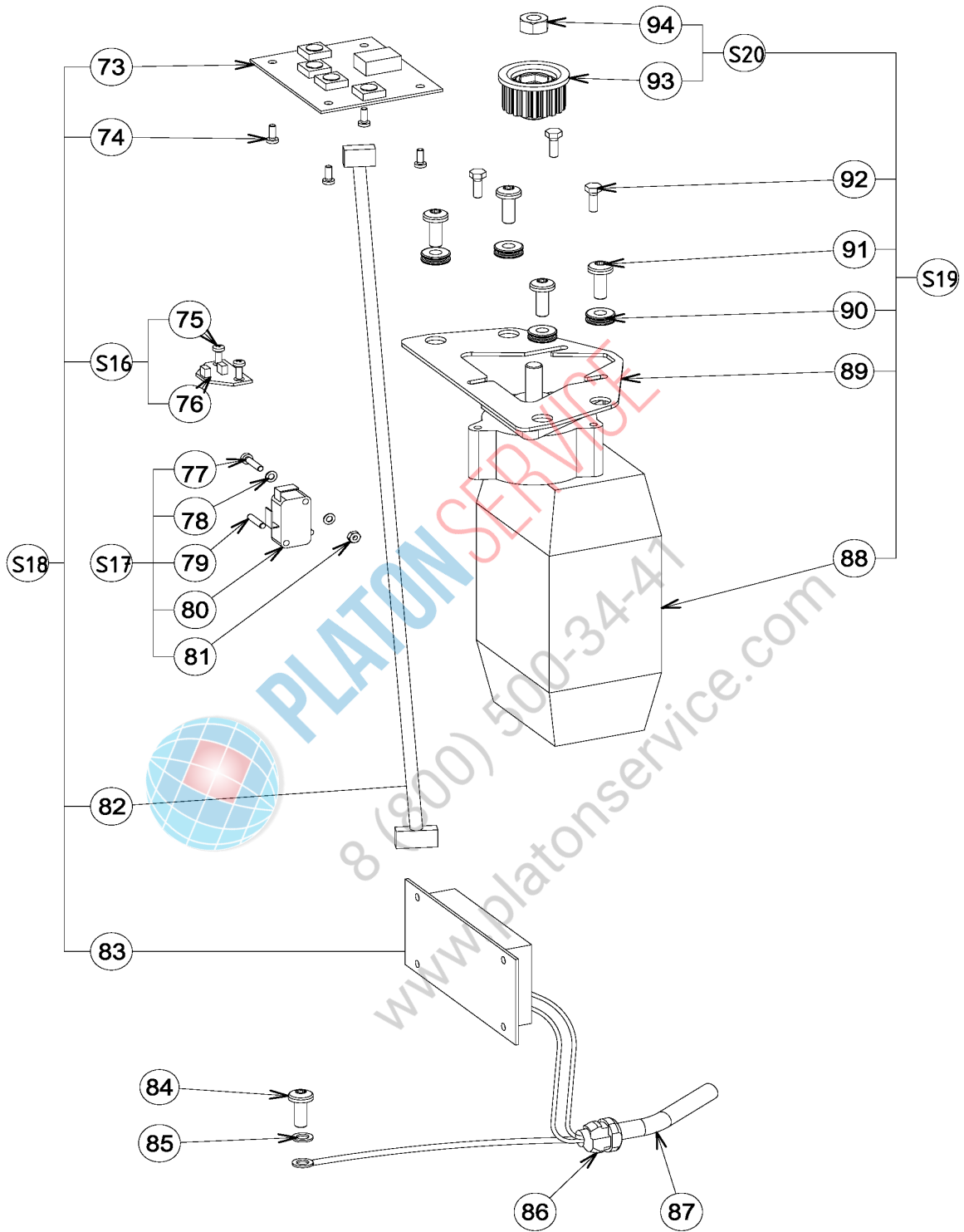


PLATON SERVICE

8 (800) 500-34-41

www.platonservice.com

Sous ensemble électrique - Electrical sub assembly



??????	603107								
??????	SPALPHAMIX	???????? 8					Electrical sub assembly		
.		Alias		S			.		(Euro)
0073	0D3319			S				DISPLAY CONTROL CARD; 50HZ XBE5	42,93
0073	0D3529				D			DISPLAY CONTROL CARD 60HZ XBE5	56,03
0074	0D2918							SCREW PT WN 1442 K30/8 (SET X10)	21,42
0075	0D2918							SCREW PT WN 1442 K30/8 (SET X10)	21,42
0076	0D3318							SPEED READER XBE5	9,34
0077	0KQ511							SCREW; 10 PCS	18,37
0078	0D2877							WASHER GALVA STL3 SET X10	17,92
0079	0KQ479			S				PEG; 10 PCS	22,43
0080	000000							See S17	
0081	033987							SCREW; 10 PCS	18,27
0082	0D3320			S				CABLE CONTROL CARD XBE5	4,85
0083	0D3317			S				POWER CARD; XBE5	69,43
0084	0D3333							TAPTITE SCREW TORX; SET 10PCS;M6X16	22,84
0085	0D0530							WASHER; 10 PCS	18,17
0086	0D3566				D			GROMMET SR 6P3 4 (SET X5)	25,48
0087	0D3310							CABLE H05 LG1700 + PLUG 2P +E	10,24
0087	0D5948				D			CORD WITH PLUG; UK + COSSE XBE5	27,30
0087	0D5949				D			CORD WITH PLUG; USA + COSSE XBE5	25,07
0088	0D3411	0D7271						MOTOR; 230V 50HZ; XBE55	
0088	0D5403				D			MOTOR; 100V USA/JAPON XBE5	
0089	0D3302							MOTOR SUPPORT XBE5	5,49
0090	0D3410							GROMMET 7X10X1.4 XBE5 SET X4	35,63
0091	0D3333							TAPTITE SCREW TORX; SET 10PCS;M6X16	22,84
0092	0D3027							TAPTITE SCREW H M4X12 (SET X 10)	20,26
0093	0D2523							DRIVE PULLEY 19 TEETH ECO/ XBE5	3,36
0094	0D0642							NUT; 10 PCS	19,85
0S16	0D3407			S				SPEED READER ASSY XBE5	38,47
0S17	0D0868							SAFETY SWITCH + CAM	30,86
0S18	0D3412				D			POWER CARD MATFER 50HZ XBE5	79,17
0S18	0D3531				D			POWER CARD MATFER 60HZ XBE5	90,84
0S19	0D3409			S				MOTOR; 200-240V; XBE5	165,40
0S19	0D3530				D			COMPLETE MOTOR 100-120V XBE5	
0S20	0D0862							SAMIX R DRIVE PULLEY ASSY.	26,59